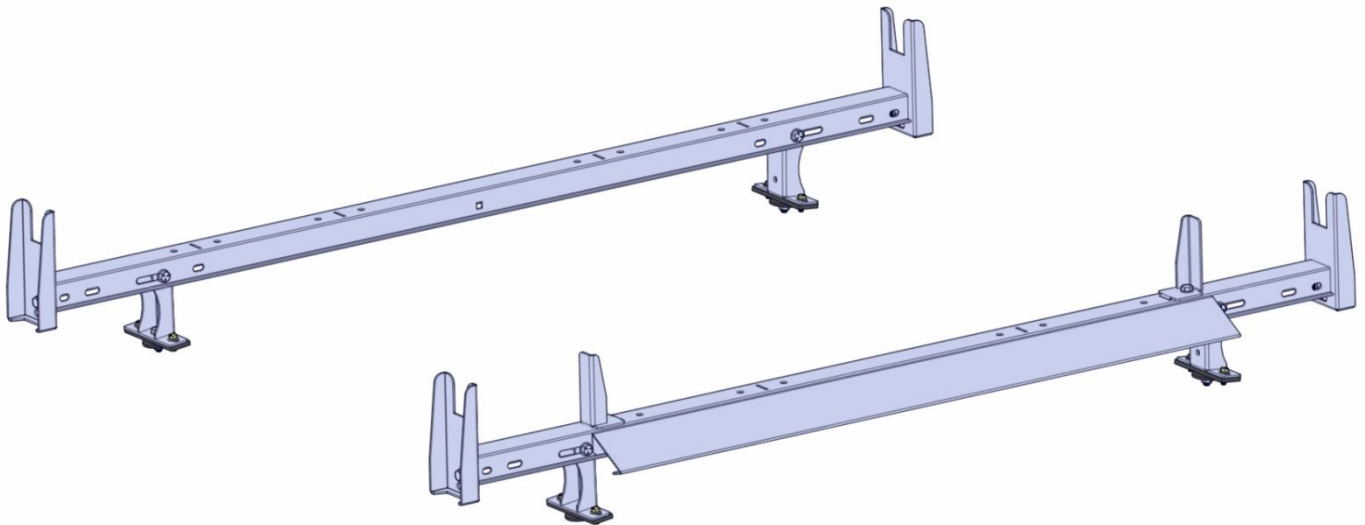




WE PUT EVERYTHING WITHIN REACH.

Installation Guide



40821-R6

Kargo Master
Rancho Cordova, CA 95742
800-343-7486
CustomerService@KargoMaster.com

***PLEASE READ ALL INSTRUCTIONS AND WARNINGS PRIOR TO ASSEMBLING,
INSTALLING AND USING THIS PRODUCT***



Warning

Always check for wires, fuel tanks and lines, brake lines and other important vehicle functionality items prior to drilling and installing all products.

Tools Needed

- 9/16" Socket and wrench
- 10mm Socket and wrench
- 13mm Socket and wrench

Table of Contents

| | |
|---|-----|
| Parts List | 3 |
| Hardware List | 4 |
| Step 1 Install Wind Deflector | 5 |
| Step 2 Assembly Crossbar | 6 |
| Step 3 Foot Mounting | 7-8 |
| Step 4 Promaster City | 9 |
| Step 5 Transit Connect | 10 |
| Step 6 NV200 and Chevy City Express | 11 |
| Step 7 Metris | 12 |
| Step 8 Transit..... | 13 |
| Step 9 NV | 14 |

Before You Begin

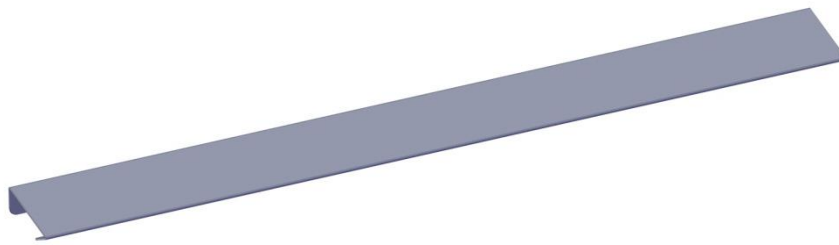
Be sure mount spacing on vehicle is ample to hold the ladder you are trying to hold. In some instances, Part number 40822 may need to be purchased.

Be sure to put E6000 sealant between rubber spacer and roof of vehicle to prevent water from leaking into cargo area.

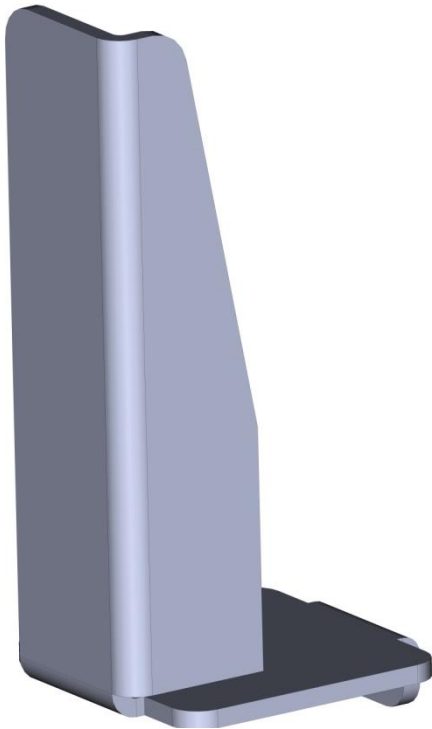
PARTS LIST



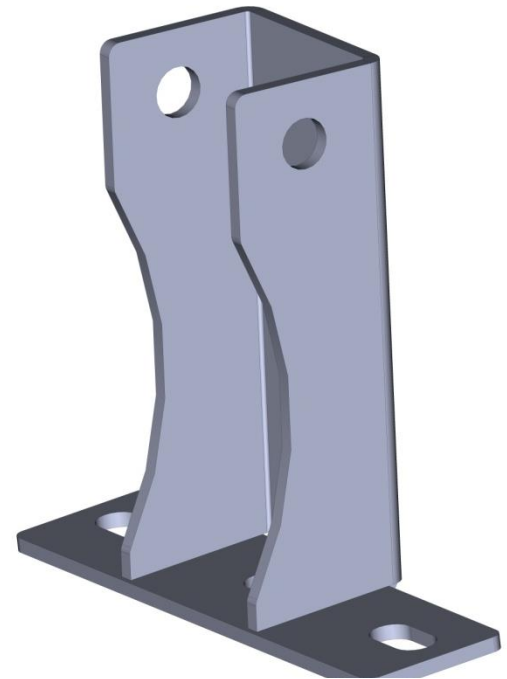
#1 Cross Member (2x)



#2 Wind Deflector (1x)










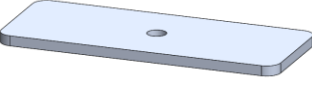


#3 Ladder Holder (2x)



#4 Foot (4x)

HARDWARE LIST

| | |
|------------------------------------|---|
| (A) QTY - 4 M8 x 30mm Hex |  |
| (C) QTY - 12 M8 Flat Washer |  |
| (E) QTY - 4 M8 NYLOC |  |
| (G) QTY - 8 M6 x 20mm Hex |  |
| (I) QTY - 8 M6 Flat Washer |  |
| (K) QTY - 4 3/8" x 2.75" Hex |  |
| (M) QTY - 9 3/8" x 1" Hex |  |
| (O) QTY - 4 Fender Washer |  |
| (Q) QTY - 4 Tube Spacer |  |
| (S) Qty 4 - Foot Plate |  |

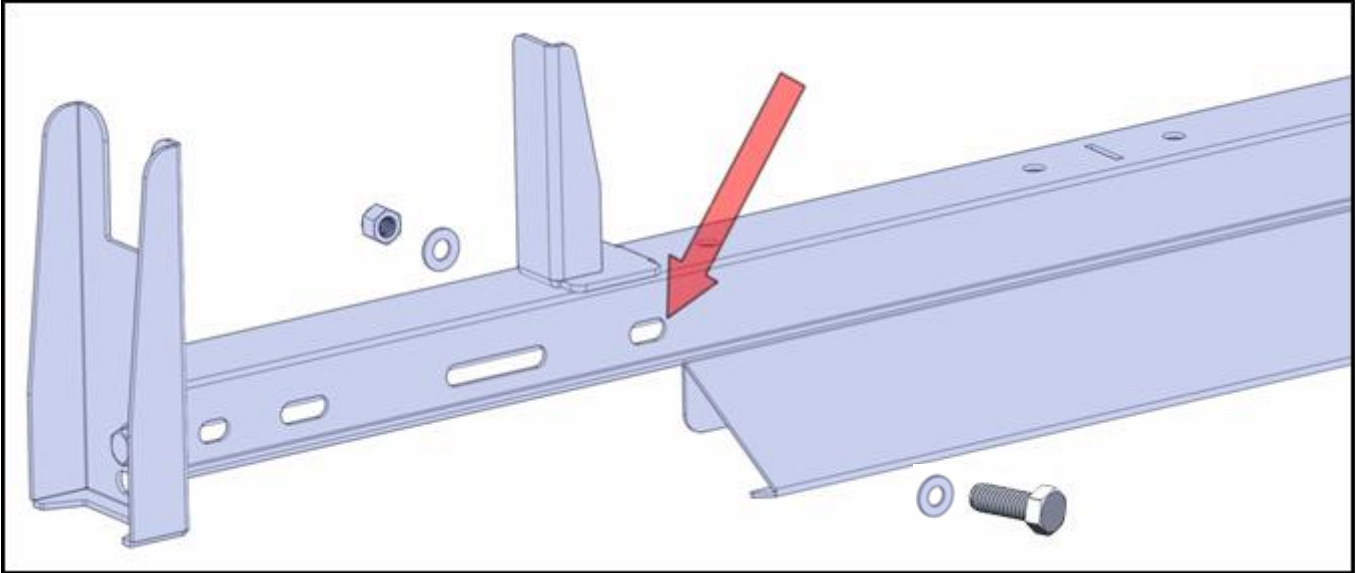
| | |
|-------------------------------------|---|
| (B) QTY - 8 M8 x 20mm Hex |  |
| (D) QTY - 8 M8 Lock Washer |  |
| (F) QTY - 8 M8 U - Nut |  |
| (H) QTY - 8 M6 Lock Washer |  |
| (J) QTY - 26 3/8" Flat Washer |  |
| (L) QTY - 13 3/8" NYLOC |  |
| (N) QTY - 4 Rubber Washer |  |
| (P) QTY - 4 Rubber Spacer |  |
| (R) Qty 4 - Rubber pad |  |

Installing Wind Deflector

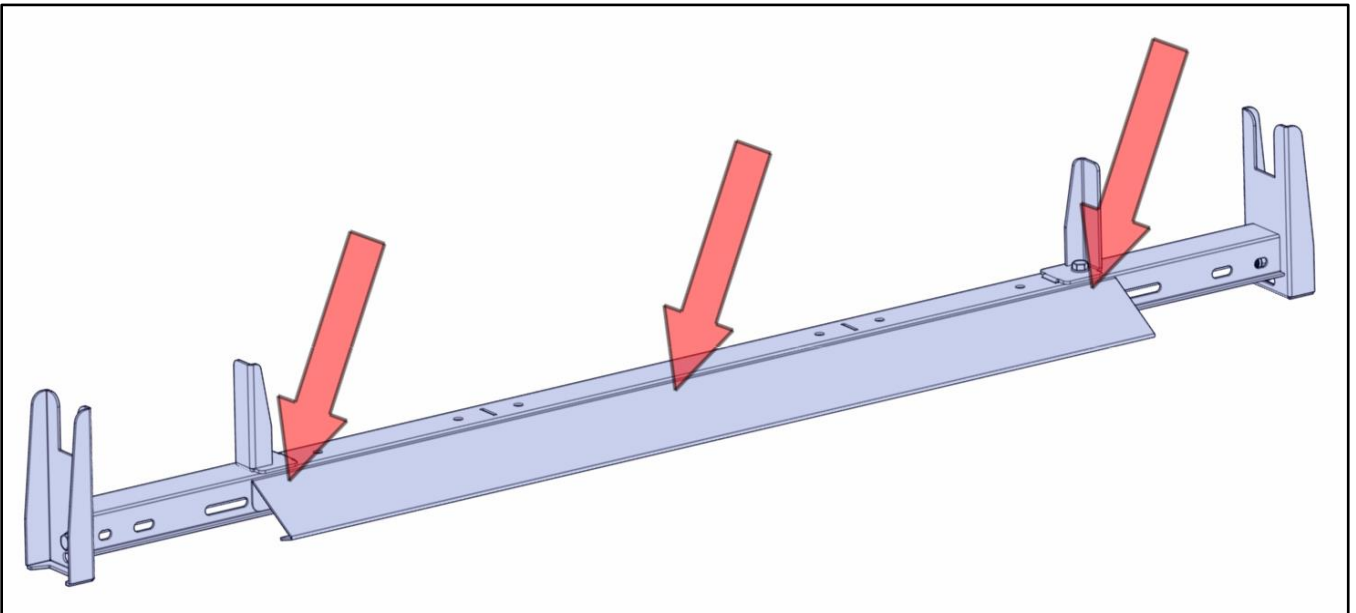
Step 1

- Bolt wind deflector (2) to the front of the cross member (1) through the slot as shown below.
- Use a 3/8" x 1" Hex Bolt(M), a 3/8" flat washer(J) and a 3/8" Nyloc nut(L) in the order shown

TIGHTEN



- Repeat in the other two locations shown below.

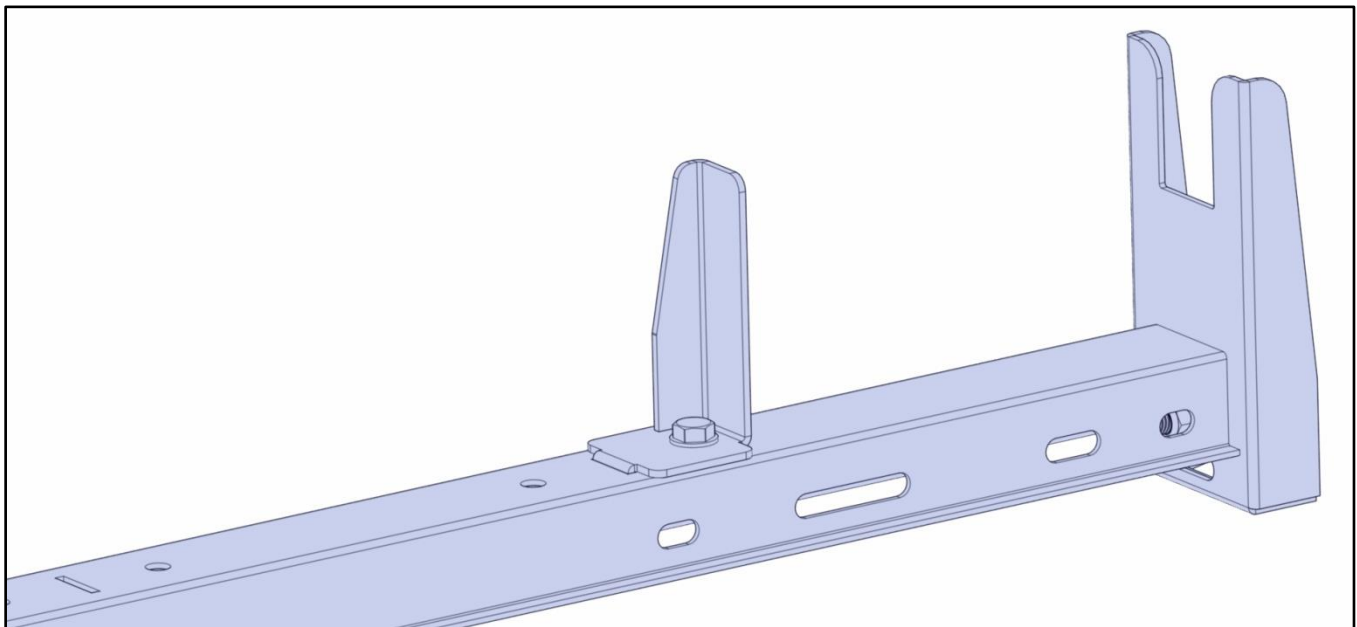
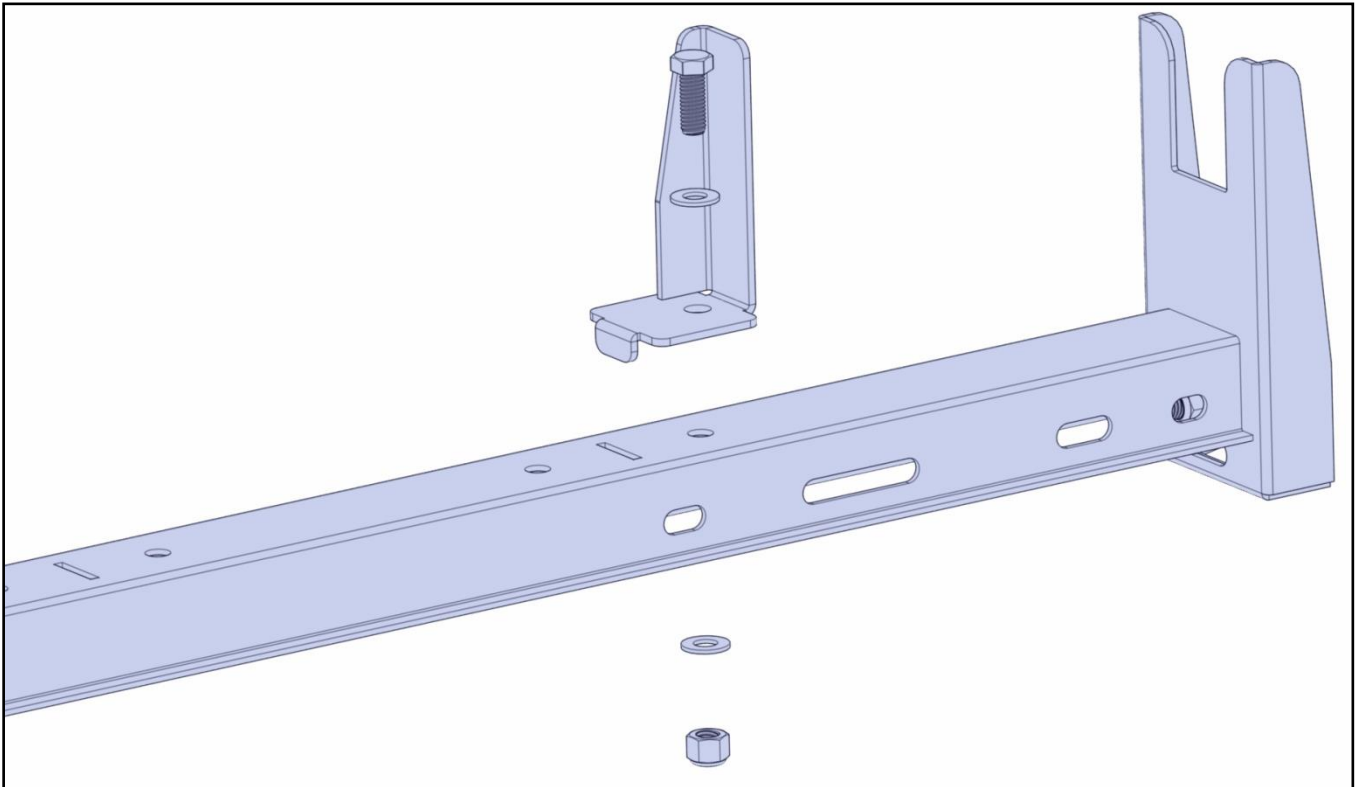


Assembly of Crossbar

Step 2

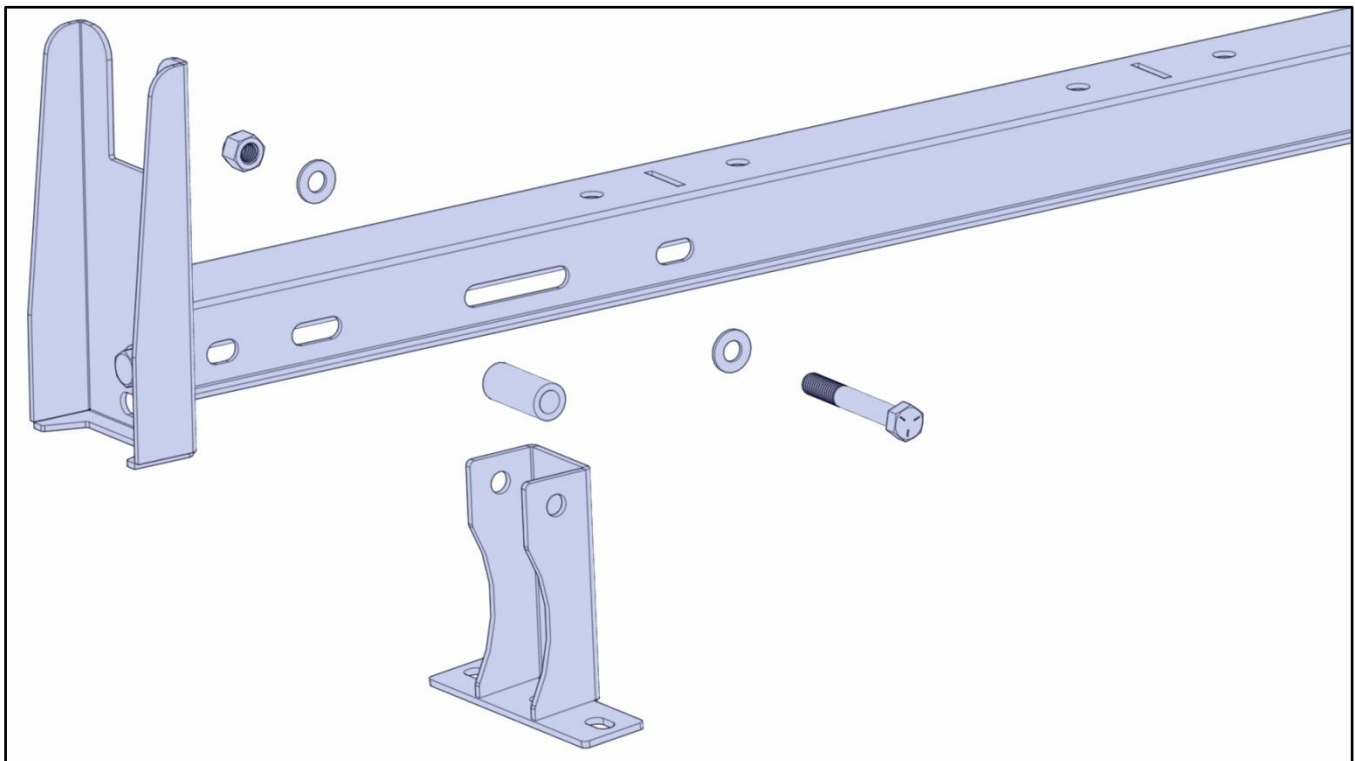
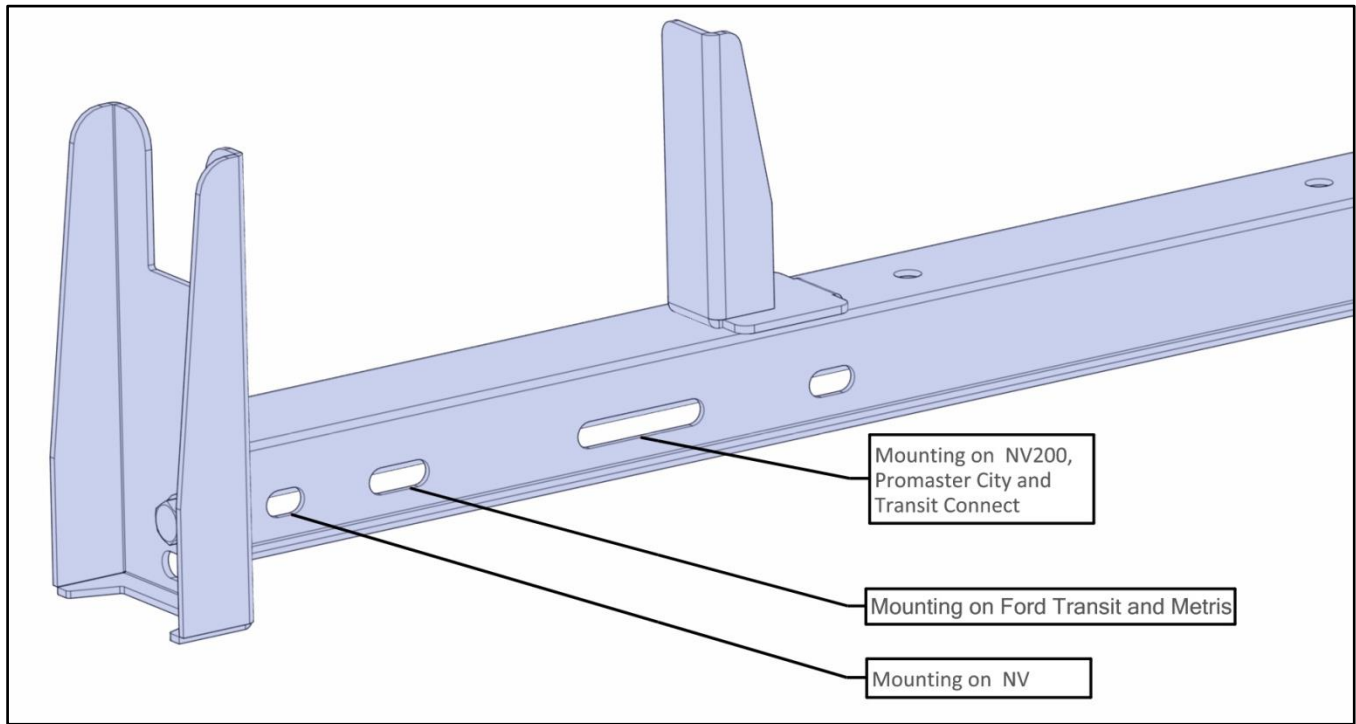
- On one cross member (1), Bolt two ladder hooks (3) to top of cross member using one 3/8" x 1" Hex(M) two 3/8" Flat Washers(J) and one 3/8" NYLOC nut(L).
- Typically this cross member goes to the front of the vehicle.

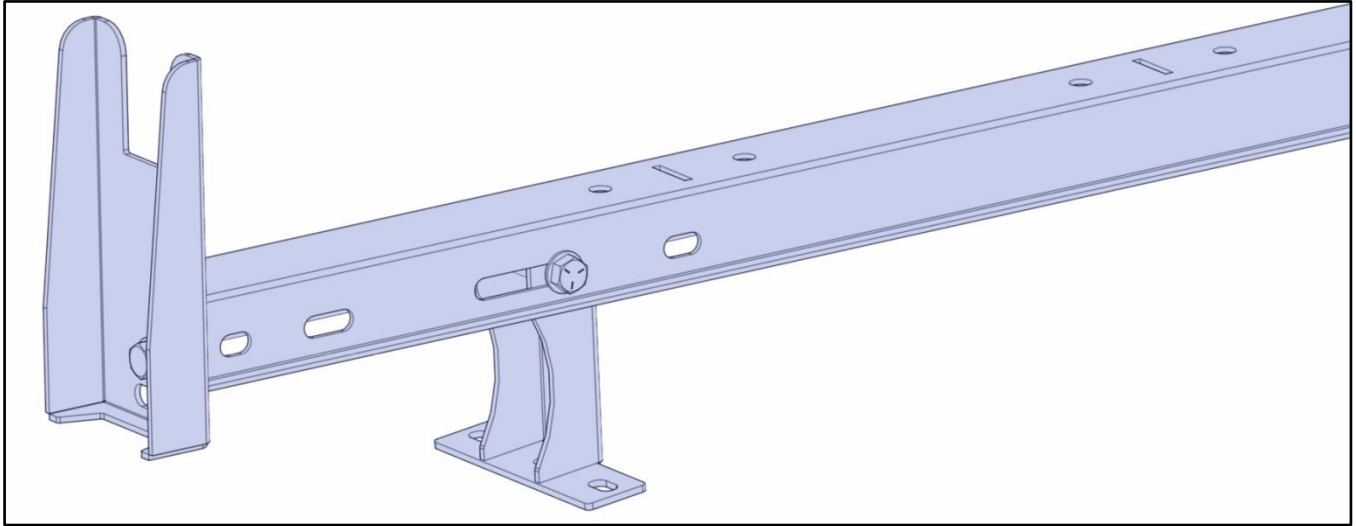
TIGHTEN



Location of foot mounting

- Depending on your vehicle, the foot will mount in different slots. See below





Step 1

- Bolt foot (4) to cross bar in location depending on your vehicle.
 - Use a 3/8" x 2.75" Hex head bolt(K),tube spacer(Q),two 3/8" flat washers(J) and a 3/8" Nyloc Nut(L).
 - Have the cup in the foot facing outward.
 - Repeat on both side
- *Do not Tighten***

Installation onto van

- Place both assemblies onto top of van.
- Typically the assembly with the ladder hook goes towards the front of the vehicle.
- Find type of vehicle install instructions below

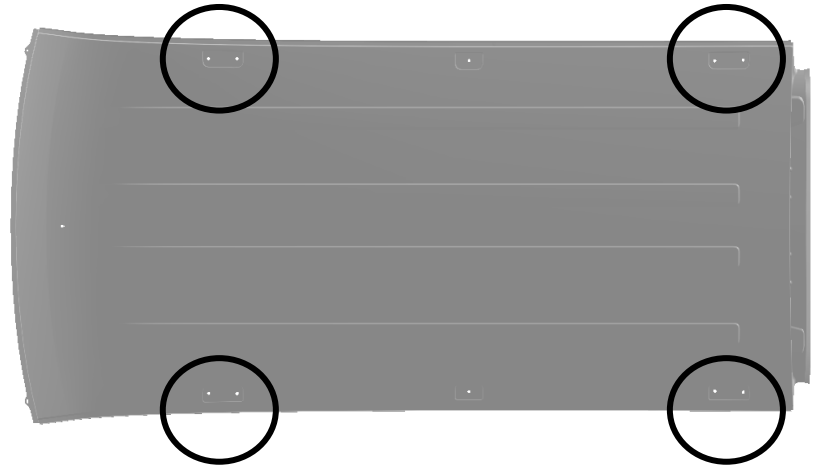
Promaster City

Step 1

- Remove plugs from desired mounting location in the roof of van.

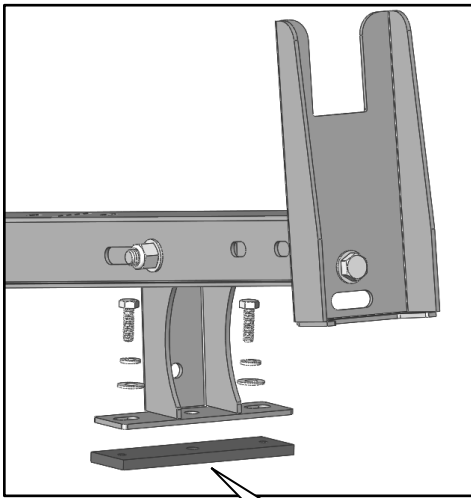
Step 2

- Bolt through the mount foot (4) into the embossed holes in roof using two M6 x 20mm Hex (G) , two M6 lock washers(H) and two M6 flat washers(I) on each foot.
- Place rubber spacer (P) in between mount foot (4) and roof of van.

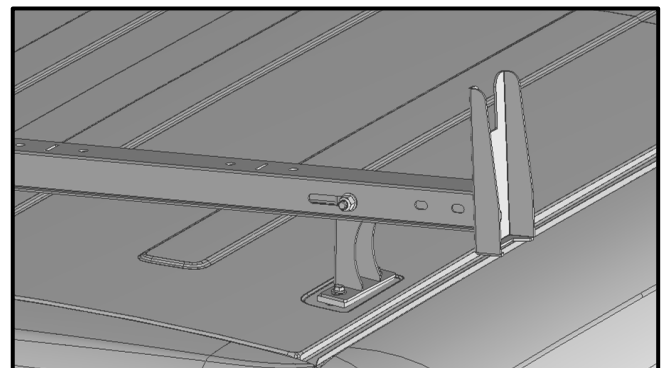
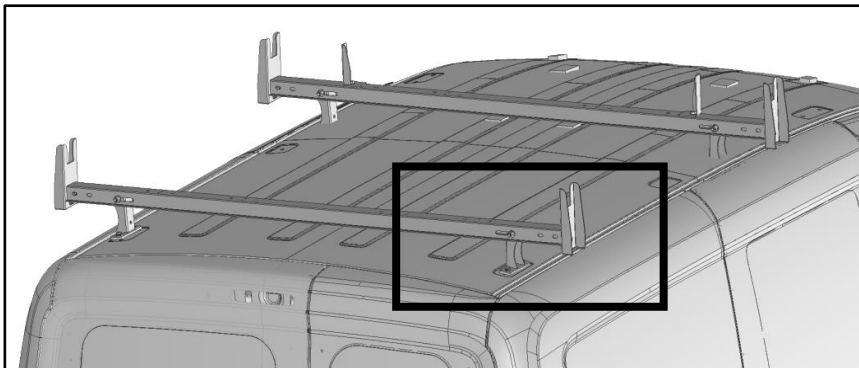
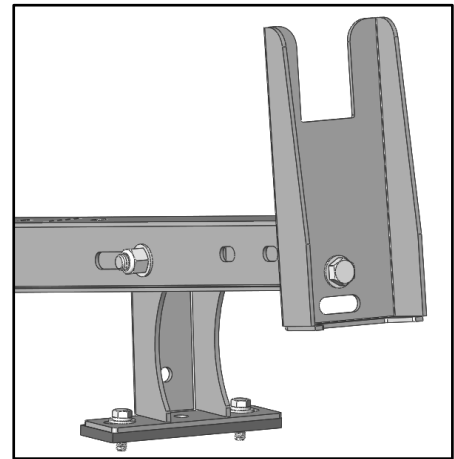


Step 3

- Go back and tighten all bolts including nuts and bolts on the rack itself.



E6000



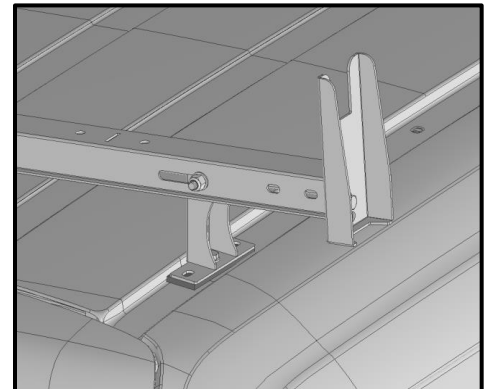
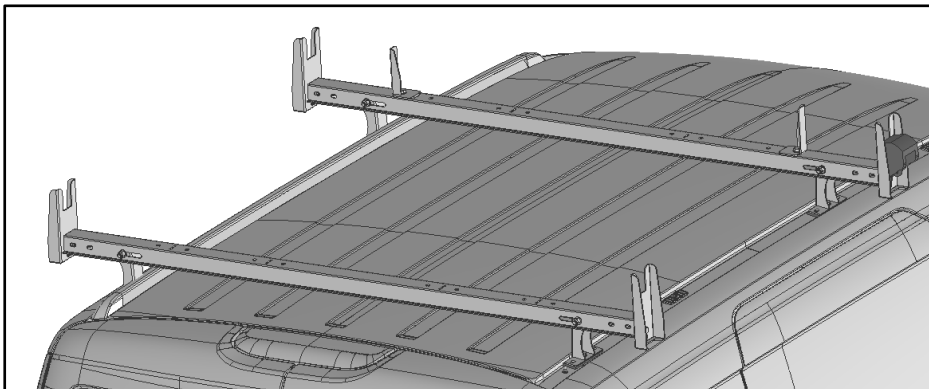
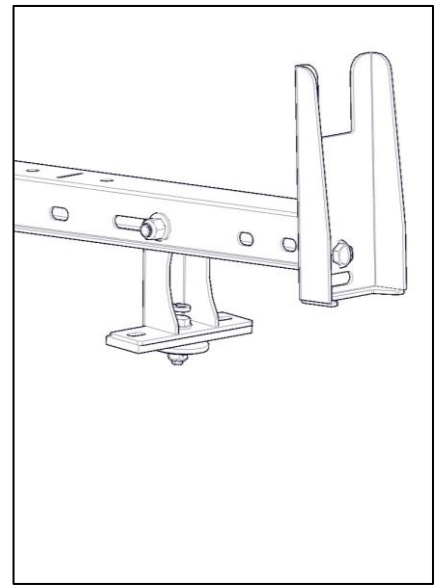
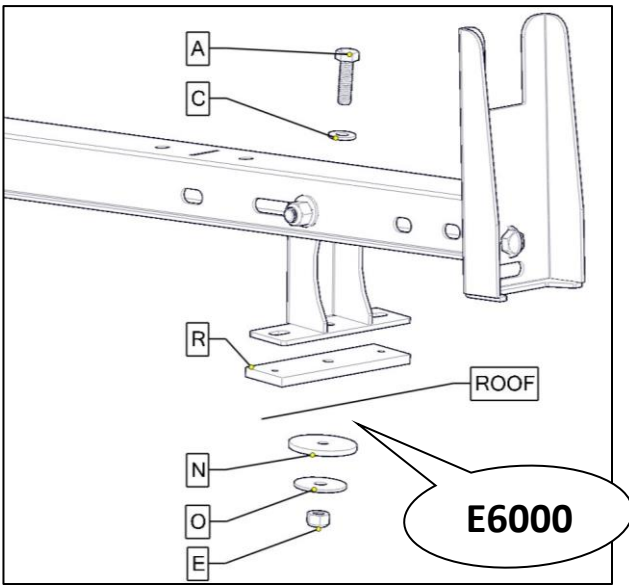
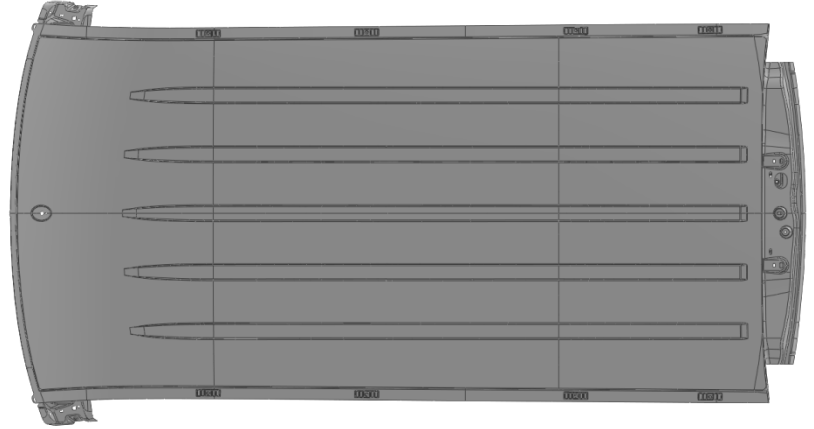
Transit Connect

Step 1

- Remove plugs from desired mounting location in the roof of van.

Step 2

- Bolt through the mount foot (4) into the exposed holes in roof using one M8 x 30mm Hex(A) , M8 flat washer(C) , one rubber washer(N) , one fender washer(O) and one M8 NYLOC nut(E) . In the order shown.
- Be sure to put foot rubber spacer(R) in between mount foot (4) and roof of van as shown below
- Place E6000 between rubber spacer and roof of van to ensure no water leaks into van.



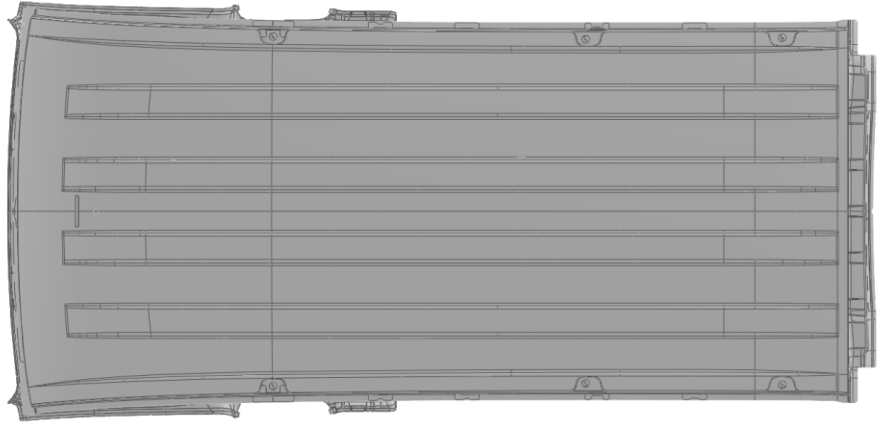
NV200 and Chevy City Express

Step 1

- Remove plugs from desired mounting location in the roof of van.

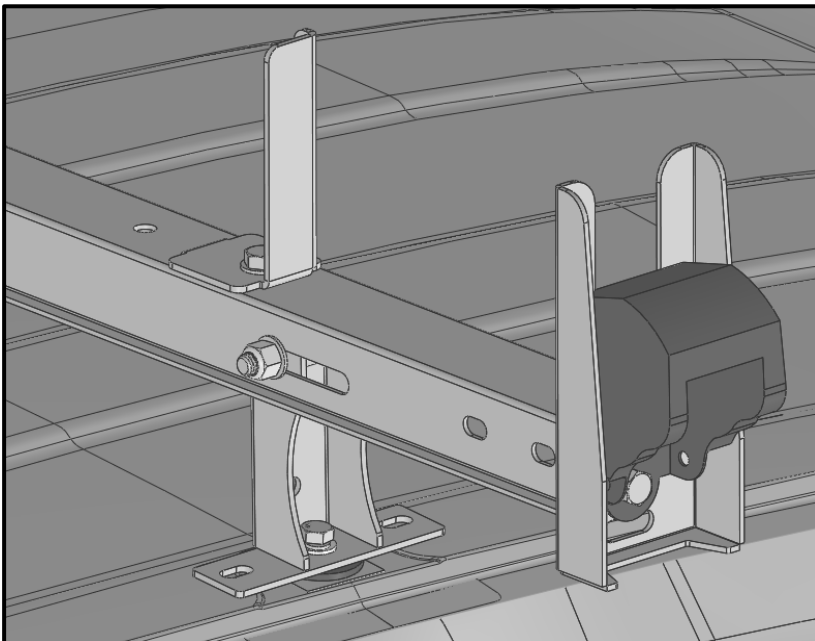
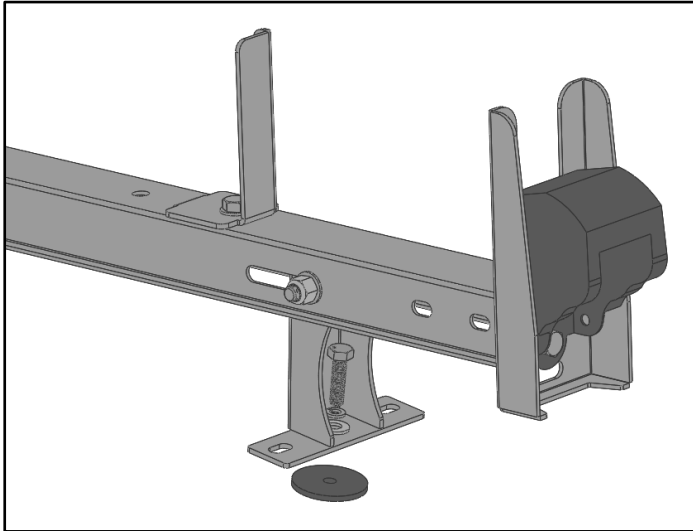
Step 2

- Bolt through the mount foot (4) into the embossed holes in roof using M8 x 30mm Hex (A) , M8 lock washers(D) and M8 flat washers(C) on each foot. Place rubber washer (N) in between mount foot (4) and roof of van.



Step 3

- Go back and tighten all bolts including nuts and bolts on the rack itself.



*Optional Ratchet strap
shown
Part number
40830

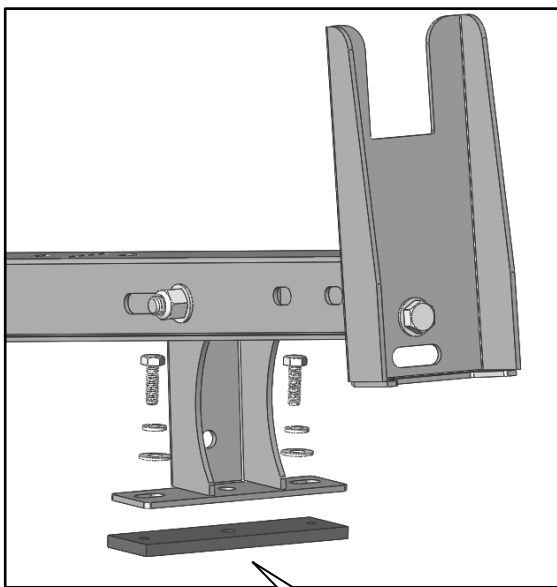
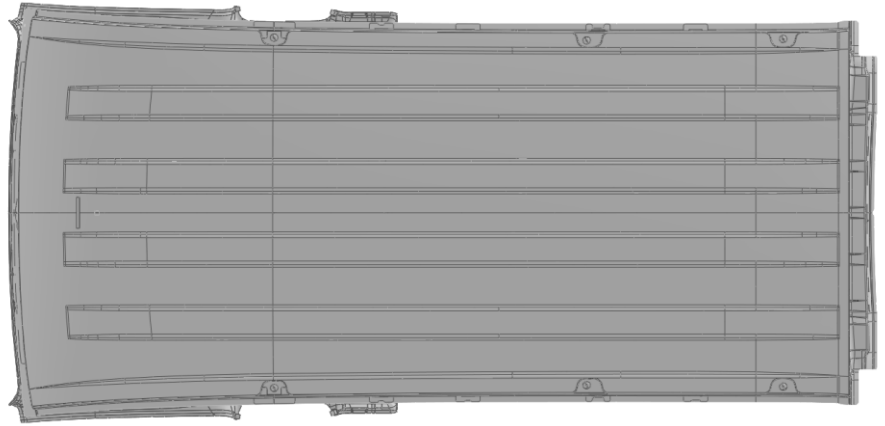
Metris

Step 1

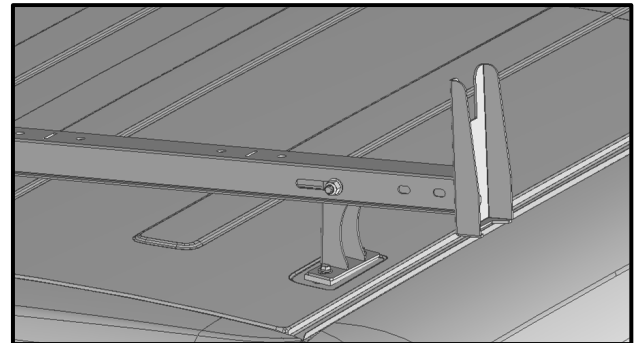
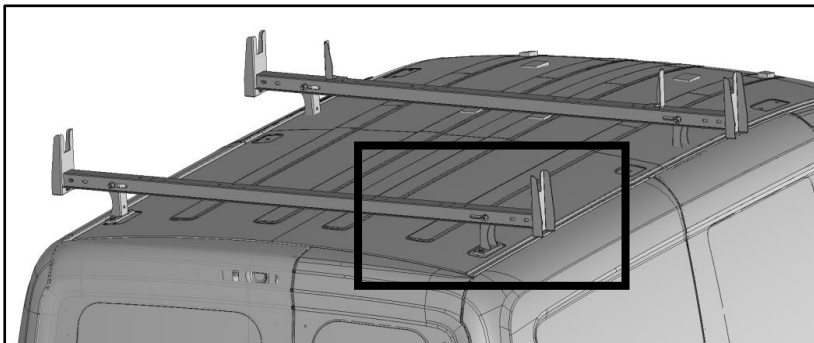
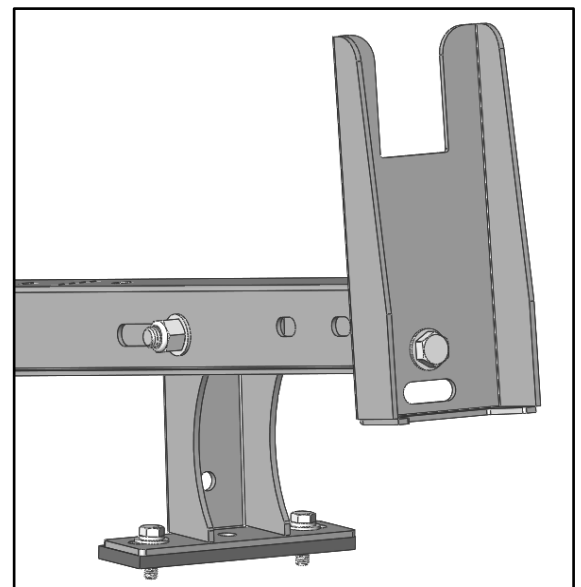
- Remove plugs from desired mounting location in the roof of van.

Step 2

- Bolt through the mount foot (4) into the embossed holes in roof using two M6 x 20mm Hex (G), two M6 lock washers (H) and two M6 flat washers(I) on each foot. Place rubber spacer (P) in between mount foot (4) and roof of van.



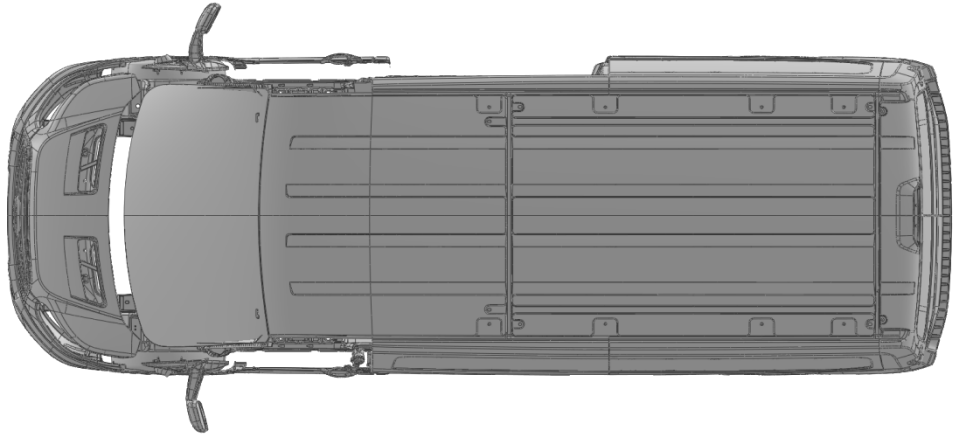
E6000



Transit

Step 1

- Remove plugs from desired mounting location in the roof of van.

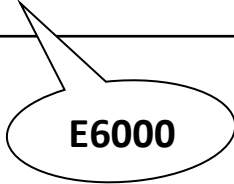
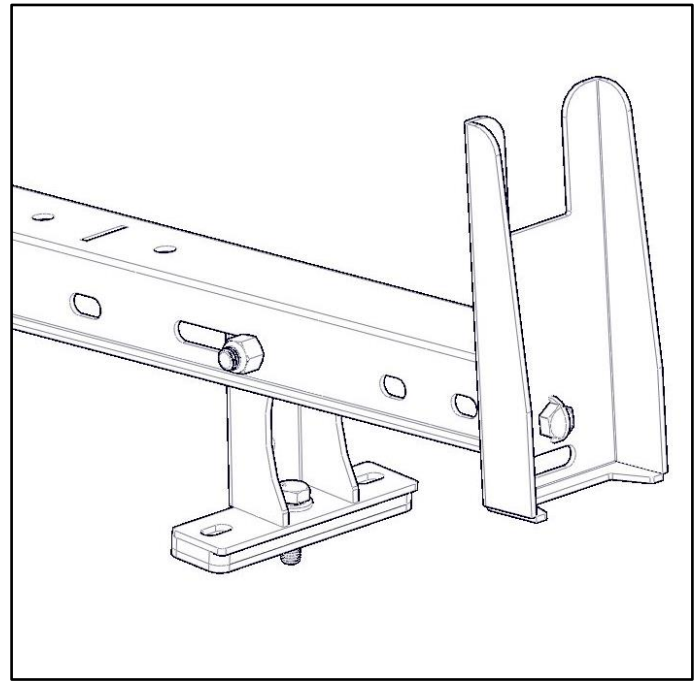
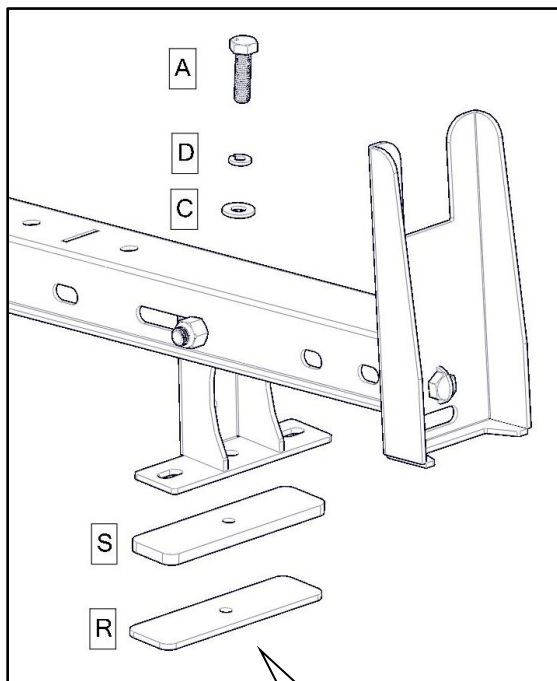


Step 2

- Bolt through the mount foot (4) into the embossed hole in roof using M8 x 30mm Hex (A), M8 lock washers (D) and M8 flat washers (C) on each foot.
- Under each foot, place rubber (R) on roof of van and foot plate (S) as shown.
- Be sure to place E6000 under, around and into threads to prevent water from entering van.

Step 3

- Go back and tighten all bolts including nuts and bolts on the rack itself



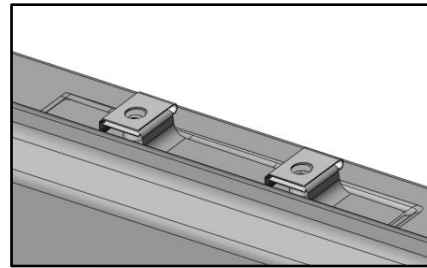
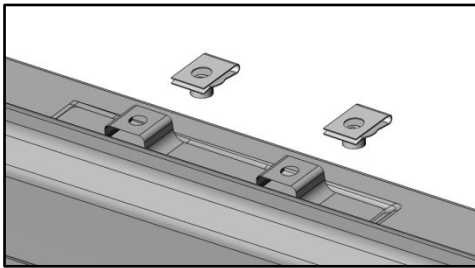
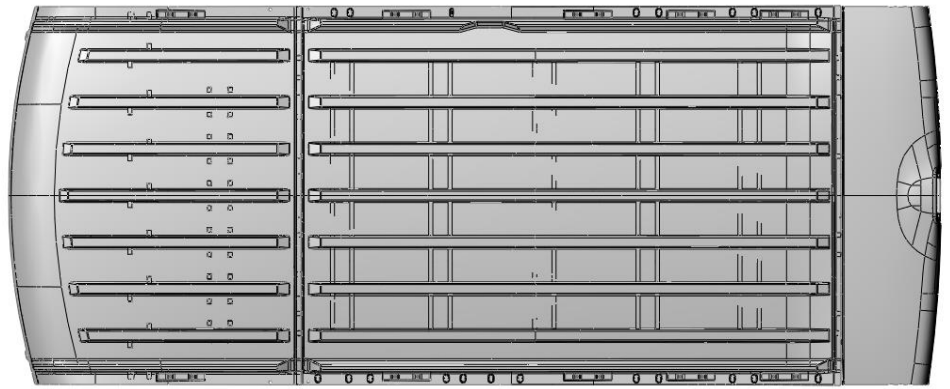
NV

Step 1

- Remove plugs from desired mounting location in the roof of van.

Step 2

- Install M8 U-Nuts(F) as shown

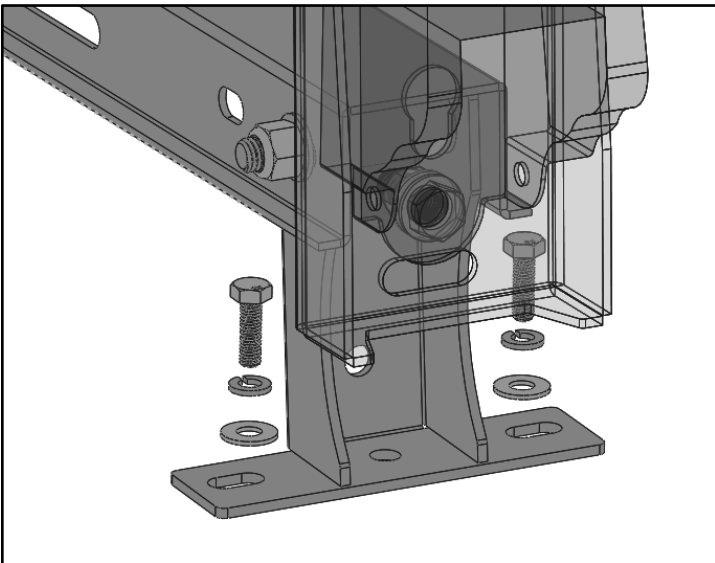


Step 3

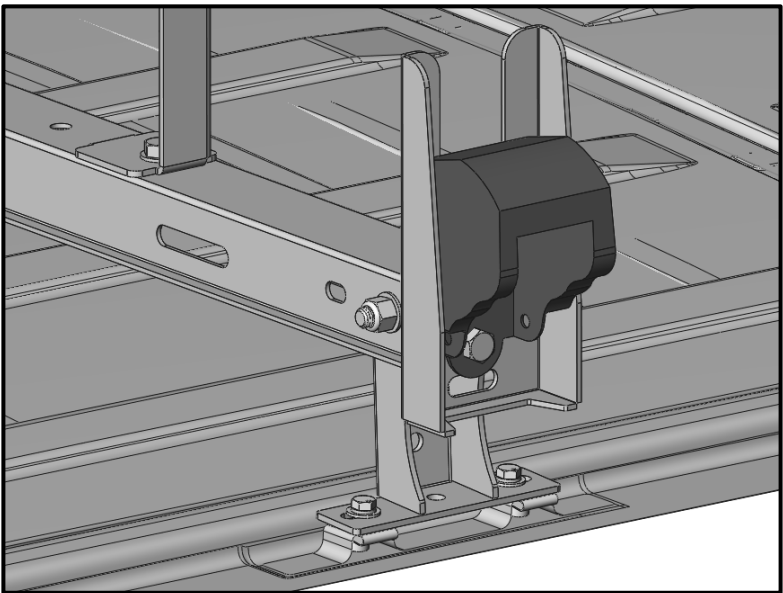
- Bolt through the mount foot (3) into the embossed holes in roof using two M8 x 20mm Hex (B), two M8 lock washers (D) and two M8 flat washers (C) on each foot.

Step 4

- Go back and tighten all bolts including nuts and bolts on the rack itself.



*Optional Ratchet strap shown
Part number
40830



**NO E6000
NEEDED**