



TM SINCE 1982

www.westernmule.com

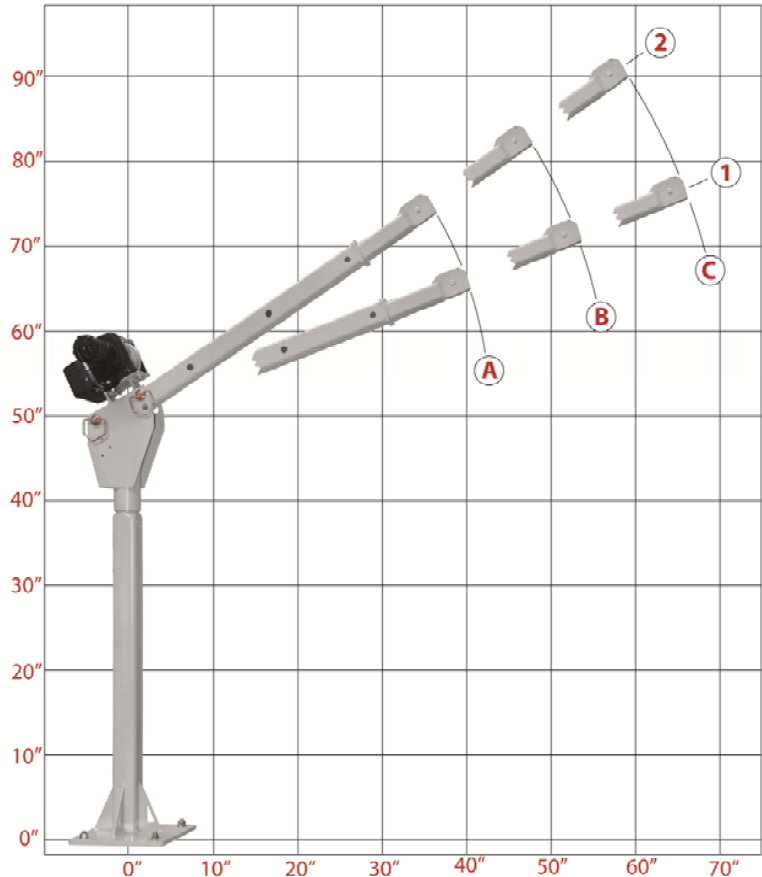
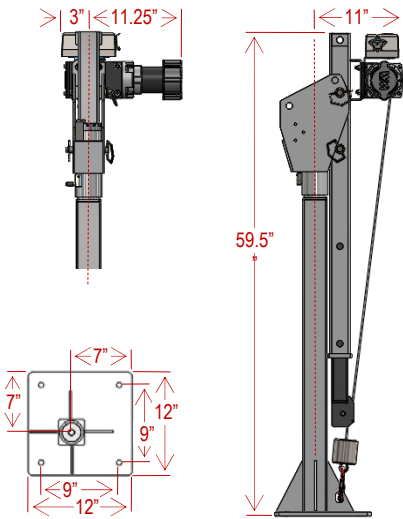
# MODEL: P-20

Lifting Capacity: 2,000 Lbs.

## LOAD CHART

Boom Position	A	B	C
2	2000	1600	1300
1	1800	1350	1000

Capacity in Lbs.



- ▶ 2,000 Lbs. Maximum Lifting Capacity
- ▶ 6 Position Manually Adjustable Boom (Up to 88" of lifting height)
- ▶ 360° Manual Rotation; rotating upon sealed bearings
- ▶ Positive Rotation Lock: secures the boom at 12 fixed points
- ▶ 12V-DC Powered, up/down, with Dual Internal Braking
- ▶ 25' x 7/32" Galvanized Aircraft Cable and Safety Hook
- ▶ 10' Detachable Remote Pendant Control
- ▶ Crane is pre-wired, factory tested
- ▶ Detailed installation and operating instructions provided
- ▶ Durable Powder Coat Finish (Light Grey)
- ▶ Crane weight is 218 lbs (Shipping wt: 235 lbs)
- ▶ 1-Year Limited Warranty (excluding lifting cable)

**NOTE:** Custom configurations of this and all models of Western Mule Cranes are available. This crane can be tailored to your specific application. Variation includes, but is not limited to specifying a maximum stored height, custom boom length, additional lifting height, or a custom mounting base. Please inquire for more details.

We reserve the right under the Product Improvement Policy to change specifications without notice or reference to specification used herein.

R217

1510 Merced St. Fresno, CA USA ♦ Ph: (800)288-6853, (559)266-6977 ♦ Fax: (559)266-7437 ♦ www.westernmule.com

Available at Contractor's Solutions [www.Contractors-Solutions.net](http://www.Contractors-Solutions.net)